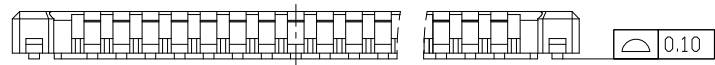
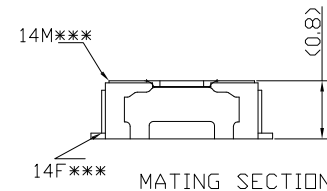
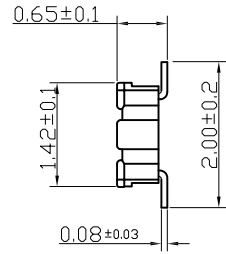
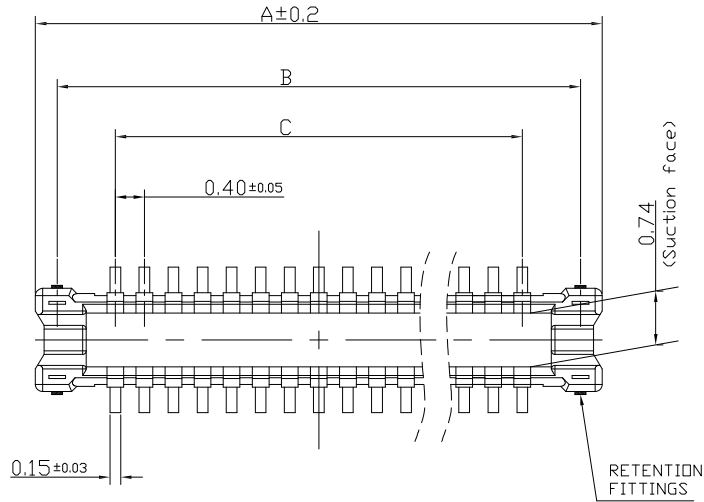


The product using material and processing must conform to the "WI-PZ-001" HSF technical standard control requirements

RoHS+HF

- NOTE:
- MATERIAL SPECIFICATION:
 - 1-1.HOUSING:LCP UL94V-0
 - 1-2.CONTACTS:PHOSPHOR BRONZE
 - 1-3.SHELL: PHOSPHOR BRONZE
 - PLATING SPECIFICATION:
 - 2-1.CONTACTS: TIN/AU PLATED OVER ALL.
 - 2-2. SHELL: TIN/AU PLATED OVER ALL.
 - MECHANICAL PERFORMANCE:
 - 3-1.INSERTION FORCE: 0.6kgf/Pin MAX
 - 3-2.REMOVAL FORCE: 0.1kgf/Pin MIN
 - 3-3.DURABILITY: 20 CYCLES.
 - ELECTRICAL PERFORMANCE:
 - 4-1.CURRENT RATING:0.3A
 - 4-2.VOLTAGE RATING:60V MAX
 - 4-3.CONTACT RESISTANCE: 90m Ohm Max.
 - 4-4.INSULATION RESISTANCE: 1000MΩ MIN
 - 4-5.DIELECTRIC WITHSTANDING VOLTAGE: 150V AC Min
 - ENVIRONMENTAL PERFORMANCE:
 - OPERATING TEMPERATURE: -40°C~+85°C.
 - PACKAGE SPEC:REEL PACKING
 - P/N ORDER: B0402 07 M 0-2 XX 2 X X 01



SERIES NO: _____

HEIGHT: _____
07-0.65mm

MALE FEMALE: _____
M-MALE

ANGLE: _____
0-180°

ROW NO: _____
2-DOUBLE ROW

PIN Q'PY: _____
10~50pin

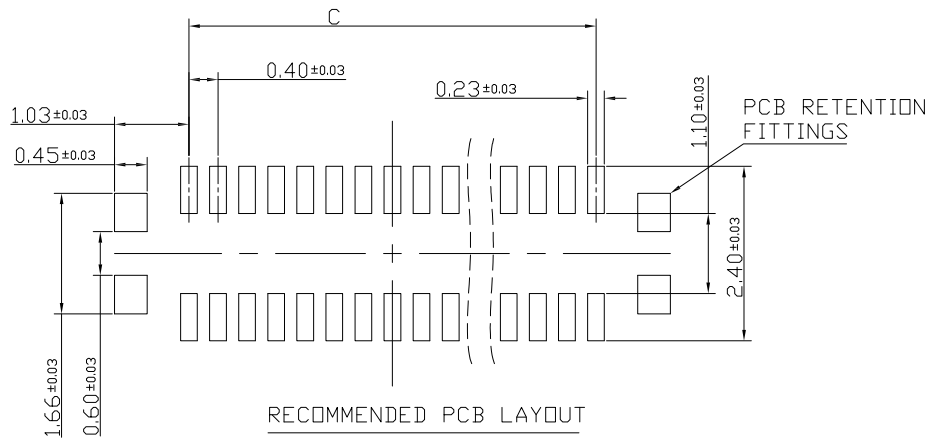
COLOR:
A-BLACK
K-WHITE
S-NATURE

PLATING:
A-ALL AU G/F
B-ALL-AU1.5U"
C-BRIGHE TIN
D-MATTE Tin

TERMIPOINT:
2-SMT

TABLE:

NUMBER OF CONTACTS	A	B	C
50	11.80	11.20	9.60
40	9.80	9.20	7.60
30	7.80	7.20	5.60
24	6.60	6.00	4.40
16	5.00	4.40	2.80
14	4.60	4.00	2.40
12	4.20	3.60	2.00
10	3.80	3.20	1.60



REV.	REVISION RECORD	DATE	GENERAL TOLERANCES		SCALE:	NAME	DATE	PART.NO:	DWG.NO:
A0	NEW RELEASE	21.01.13	LINEAR	ANGLES	1:1	Wang_jr	21.01.13	B040207M0-2XX2XX01	ENDE05
			0.0±0.35	X'REF±6°	APPROVED	Han_Gao	21.01.13	TITLE: 0.40mm,pitch BTB MALE	REV: A0 SHEET: 1/2
			0.00±0.25	X'±3°	DESIGNER	Zijun_Huang	21.01.13		
			0.000±0.10	X'X' ±2°	DRAWN				



WanLian Teconology Co., Ltd

The product using material and processing must conform to the "WI-PZ-001"HSF technical standard control requirements

RoHS+HF

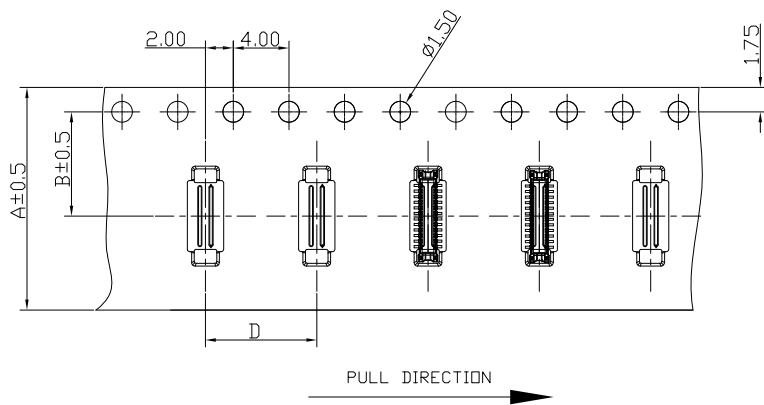
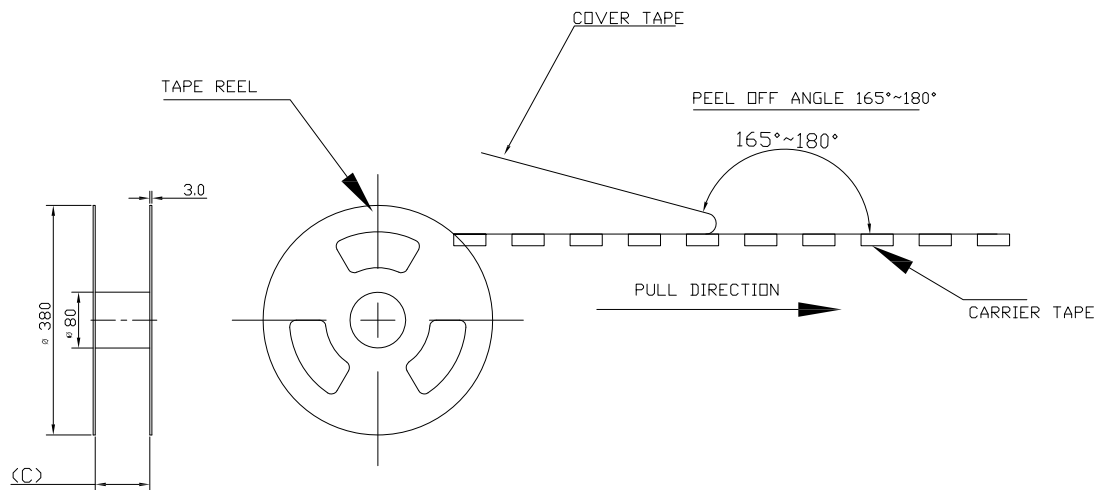


TABLE:

40	24.00	11.50	25.4	4.00	20000
30	16.00	7.50	17.4		
24					
16					
14					
12					
10					
NUMBER OF CONTACTS	A	B	C	D	QTY/REEL

REV.	REVISION RECORD	DATE		GENERAL TOLERANCES		SCALE: 1:1	NAME	DATE	PART.NO:	DWG.NO:	
A0	NEW RELEASE	21.01.13		LINEAR	ANGLES	APPROVED	Wang_jr	21.01.13	B040207M0-2XX2XX01	ENDE05	
				0.0±0.35	X'REF±6°	DESIGNER	Han_Gao	21.01.13	TITLE:		
				UNIT:mm	X'±3°	DRAWN	Zijun_Huang	21.01.13	0.40mm,pitch BTB MALE PACKAGE SPEC		
			SIZE: A4	0.000±0.10	X'X' ±2°					REV: A0	SHEET: 2/2